

TAWI



TAWI MOBILE LIFTERS

Mobile Order Picker

CE

Mobile vacuum lifter for logistic- and distribution centres



Optimize your workflow with ^{TAWI} Mobile Order Picker

- Mobile vacuum lifter
- Stand-alone unit
- Integrated pump/battery
- Easily attached to any forklift
- Quick start-up

Efficient workflow with mobile order picking

^{TAWI} Mobile Order Picker offers a unique solution for order-picking from pallet racks, shelves or conveyors. Simply pick up the mobile unit with any kind of forklift or fork truck and drag or drive wherever you need to go.

A vacuum lifter on an articulating arm enables you to reach far into pallet racks or to the back wall of a container.

Maximize efficiency with minimal effort

1. Attach ^{TAWI} Mobile Order Picker to any forklift or fork truck
2. Drive where you need to go
3. Park the unit - automatically activating the vacuum pump
4. Start loading/unloading your goods!



Light for dark spaces



Integrated battery

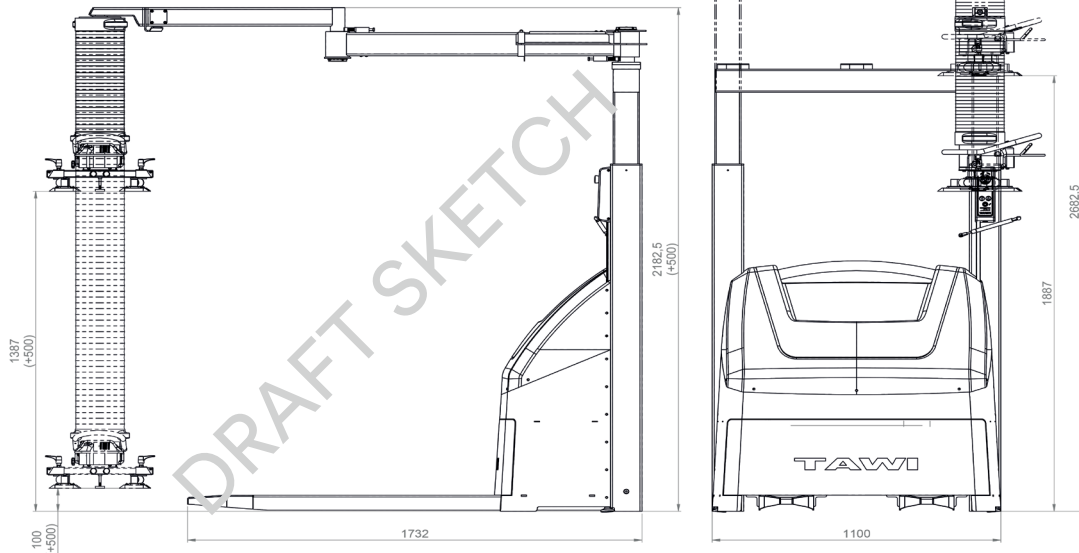


Automatically activated support legs

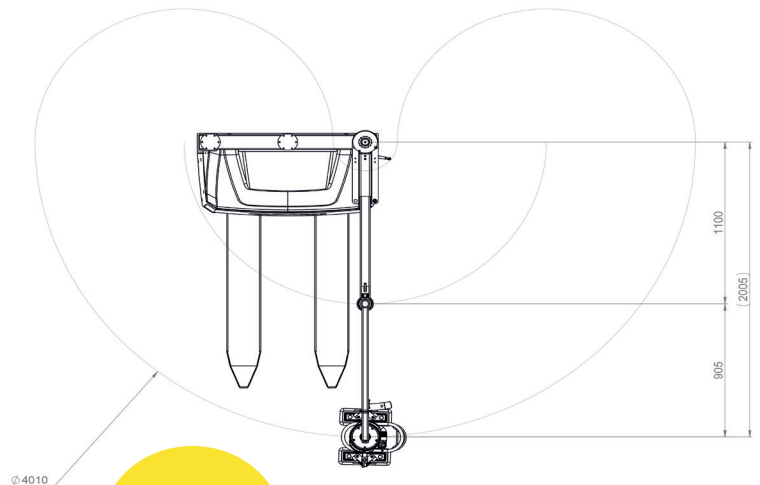
Drawings, design and technical specifications

In sketch below: TAWI Mobile Order Picker with VM80 [VM180]*

The unit is also compatible with VM30-80 [VM100-180]* and VC35-40 [VC100-120]*



Description	Specifications
Estimated operation time	3 hours constant use/ emptying one container
Building height	700mm
Adjustable height	500 mm
Weight of unit	600 kg
Lifting capacity	40/80 kg
Battery	24 VDC 180 Ah
Battery charge time	8 hours



Chassis design and smart features

- **Robust cover** protecting battery and on-board electronics
- **User friendly** on-board control panel
- Internal air passage for **effortless operation**
- Electronically driven **height adjustment** to accommodate different lifting heights and height limitations
- **Adaptable fork tunnels** for effortless adjustment to interface any fork system
- **Safety lock** on articulating arm is automatically released when the pump is started

Adjustable height



*All TAWI vacuum lifters have new model names from March 2018, old names in brackets.

TAWI

Smart lifting

Headquarters Sweden:

TAWI AB
Box 102 05
434 23 Kungsbacka
Tel: +46 300 -185 00
info@tawi.com

Denmark:

TAWI DANMARK A/S
Arresøvej 7
DK-8240 Risskov
Tel: +45 86 17 22 66
mail@tawidanmark.dk

Germany:

TAWI GmbH
August-Thyssen-Str. 1
D-41564 Kaarst
Tel: +49 211 20542740
info@tawi.de

Netherlands:

TAWI BV
Postbus 6092
5700 ET Helmond
Houtse Parallelweg 34-35
5706 AB HELMOND
Tel: +31 492-523705
info@tawi.nl

United Kingdom:

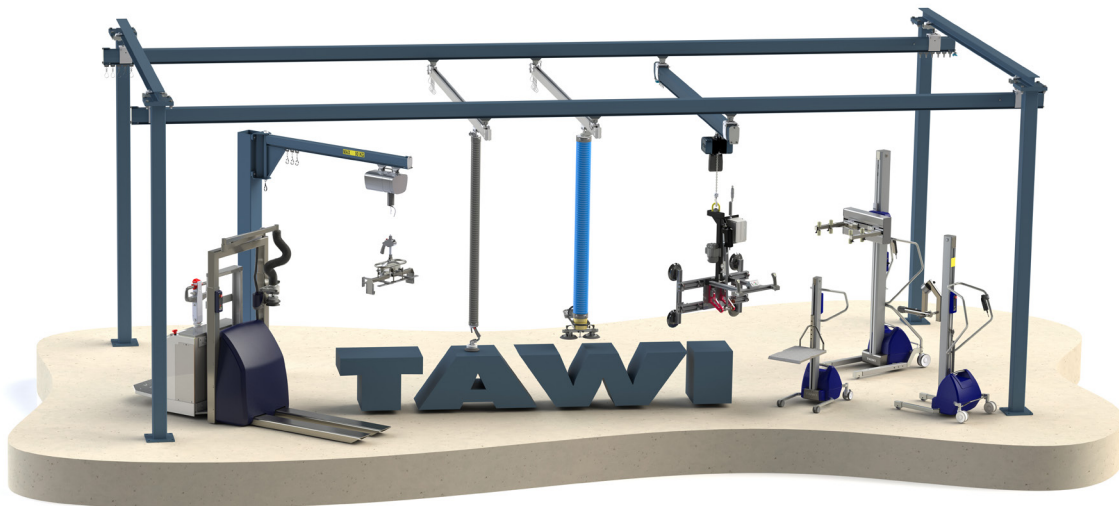
TAWI UK Ltd
Unit G, Pentagon Park,
io Centre, Lodge Farm
Northampton, NN57UW
Tel:+44 1604 591120
sales@tawi.co.uk

USA:

TAWI USA
380 Internationale Drive
Suite A
Bolingbrook, IL 60440
Tel: +1 630-655-2905
sales@tawi.us

Canada:

TAWI Canada Inc.
120 Newkirk Rd., Unit 7
Richmond Hill ON L4C 9S7
Tel: +1 905 884 1633
info@tawi.ca



MOBILE LIFTERS

CRANE SYSTEMS

HOISTS

VACUUM LIFTERS

VACUUM GRIPPERS