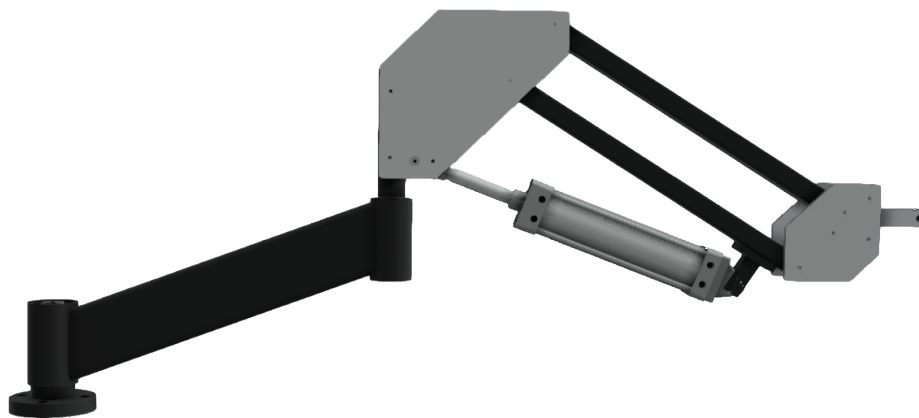


# FlexArm

## Part Manipulators



- Improve Ergonomics
- Increase Efficiency
- Easier lifting/loading in tight areas
- Part manipulation in and out of machining centers

## PRODUCT INDEX

### 2 Foot Arms

PM-RNR.....	Page 2
PM22-S/PM22-A.....	Page 3
PM23-S/PM23-A.....	Page 4
PM-24-S.....	Page 5

### 3 Foot Arms

PM32-S/PM32-A.....	Page 6
PM33-S2/PM33-A2.....	Page 7
PM34-S2.....	Page 8

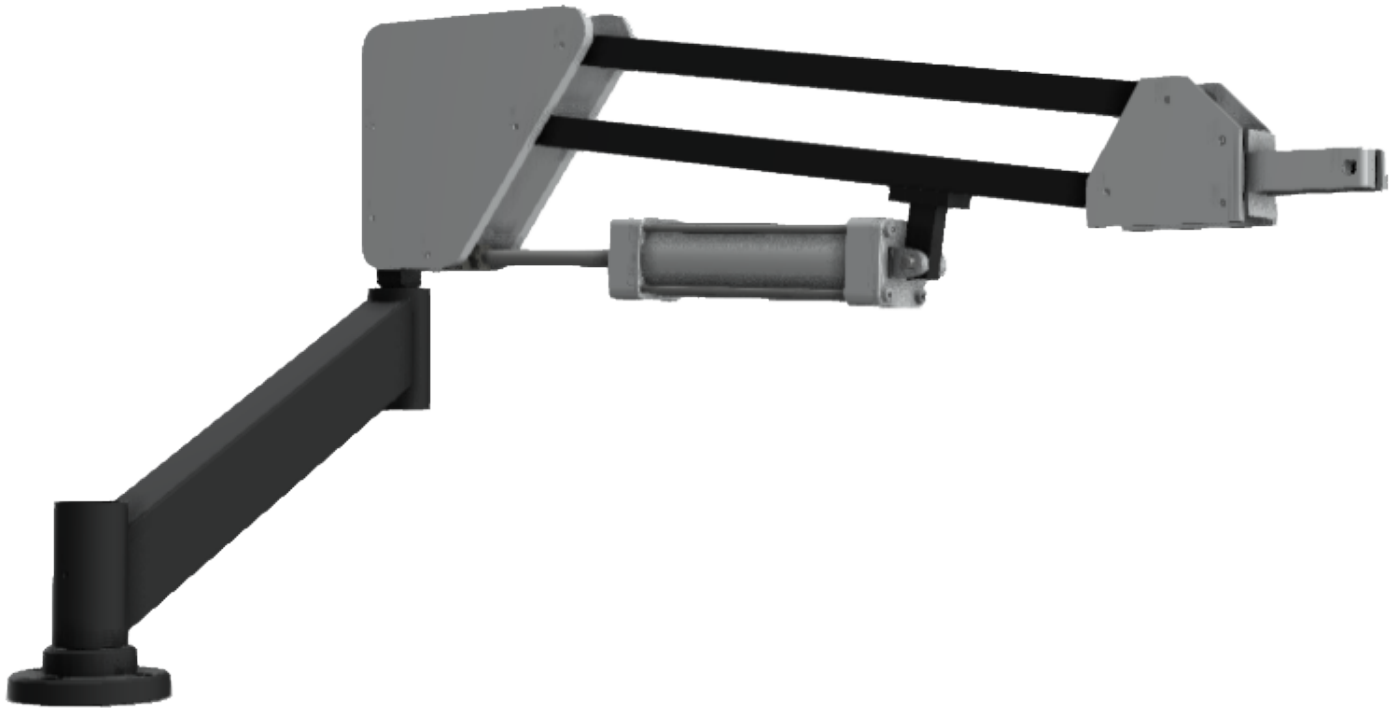
### 4 Foot Arms

PM42-S/PM42-A.....	Page 9
PM43-S1/PM43-A1.....	Page 10
PM44-S1.....	Page 11

### Accessories

\*See pricing guide

# PM-RNR

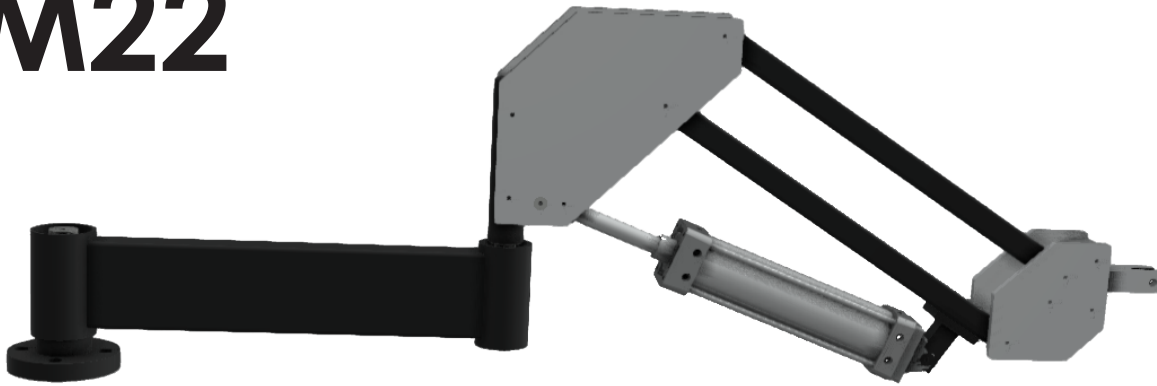


Model	PM-RNR
Arm Length	2 ft.
Weight Range (includes EOAT)	0-85 lbs.
Linear Reach	18"-56"
Vertical Stroke	24.5"
Angle Mount	1.5' Angled

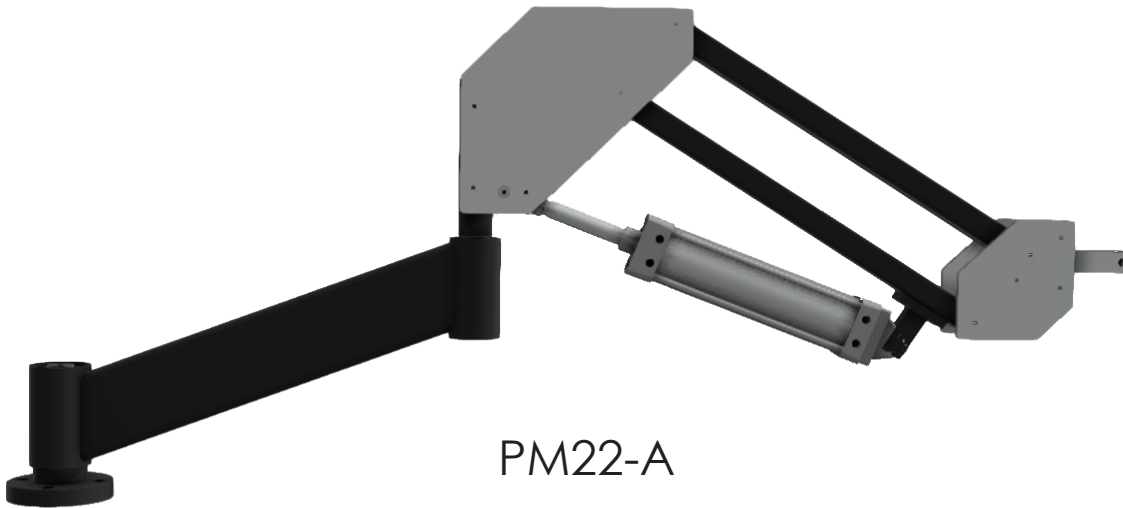
LIFTING MAGNET  
 P/N: 360600  
 ADJUSTABLE PEDESTAL  
 P/N: FX900032

\*Custom end effector available upon request

## PM22



PM22-S



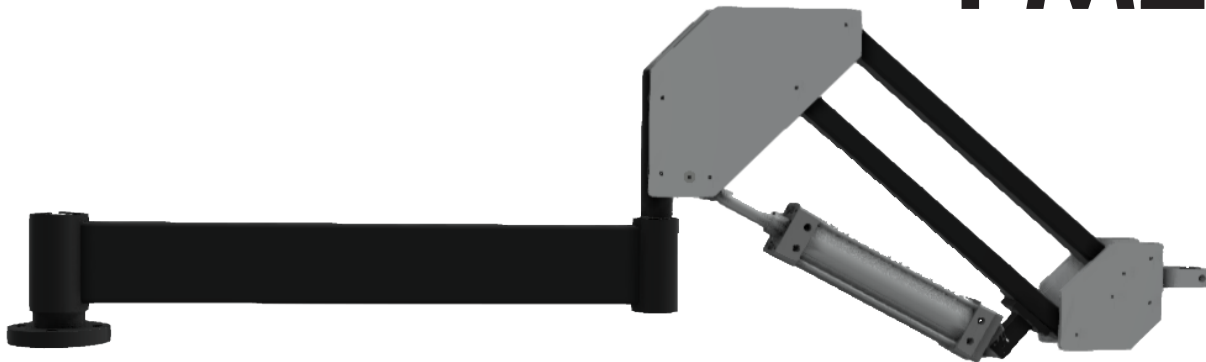
PM22-A

Model	PM22-S	PM22-A
Arm Length	2 ft.	2 ft.
Weight Range (includes EOAT)	0-200 lbs.	0-200 lbs.
Linear Reach	16"-64"	16"-64"
Vertical Stroke	23"	23"
Angle Mount	2' Straight	2' Angled

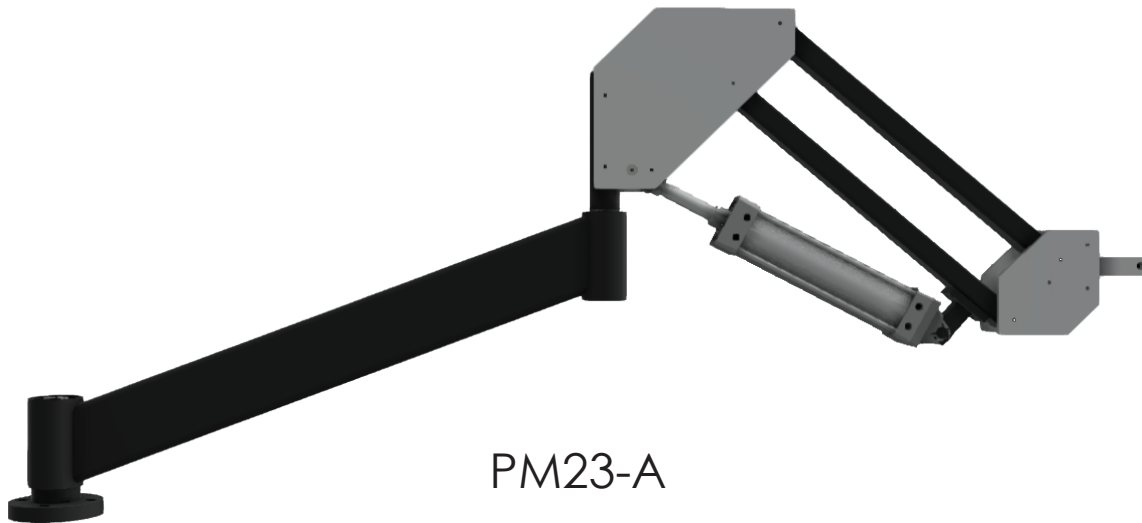
LIFTING MAGNET  
P/N: 360600  
ADJUSTABLE PEDESTAL  
P/N: FX900032

\*Custom end effector available upon request

## PM23



PM23-S



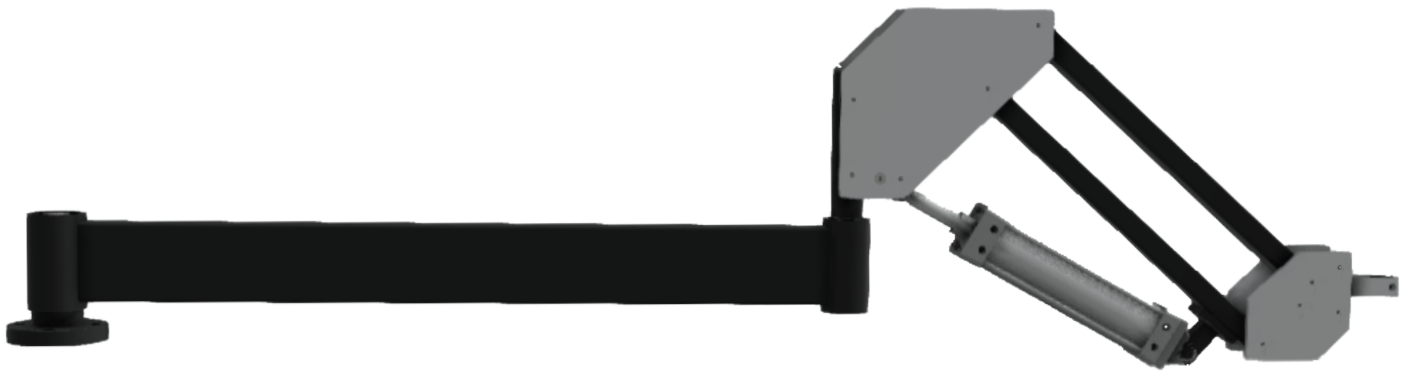
PM23-A

Model	PM22-S	PM22-A
Arm Length	2 ft.	2 ft.
Weight Range (includes EOAT)	0-150 lbs.	0-150 lbs.
Linear Reach	4"-76"	4"-76"
Vertical Stroke	23"	23"
Angle Mount	3' Straight	3' Angled

LIFTING MAGNET  
 P/N: 360600  
 ADJUSTABLE PEDESTAL  
 P/N: FX900032

\*Custom end effector available upon request

## PM24-S

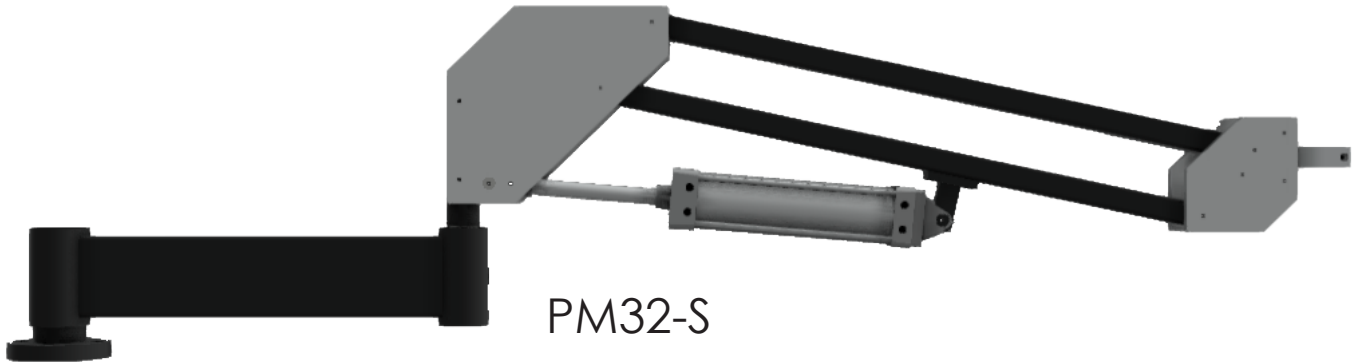


Model	PM22-S
Arm Length	2 ft.
Weight Range (includes EOAT)	0-150 lbs.
Linear Reach	8"-88"
Vertical Stroke	23"
Angle Mount	4' Straight

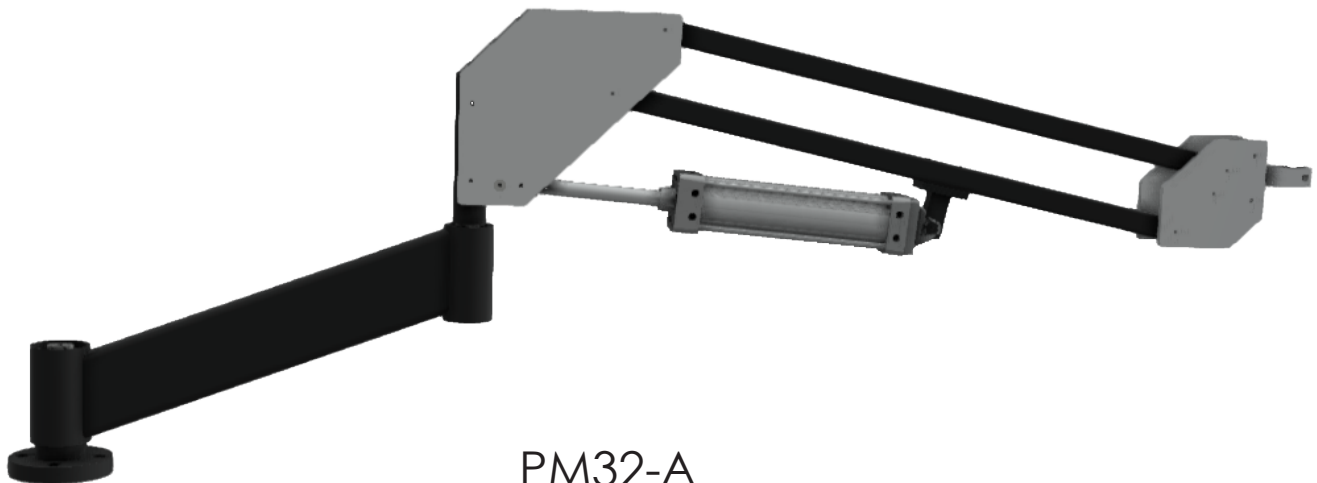
LIFTING MAGNET  
P/N: 360600  
ADJUSTABLE PEDESTAL  
P/N: FX900032

\*Custom end effector available upon request

## PM32



PM32-S



PM32-A

Model	PM32-S	PM32-A
Arm Length	3 ft.	3 ft.
Weight Range (includes EOAT)	0-150 lbs.	0-150 lbs.
Linear Range	28"-76"	28"-76"
Vertical Stroke	38"	38"
Angle Mount	2' Straight	2' Angled

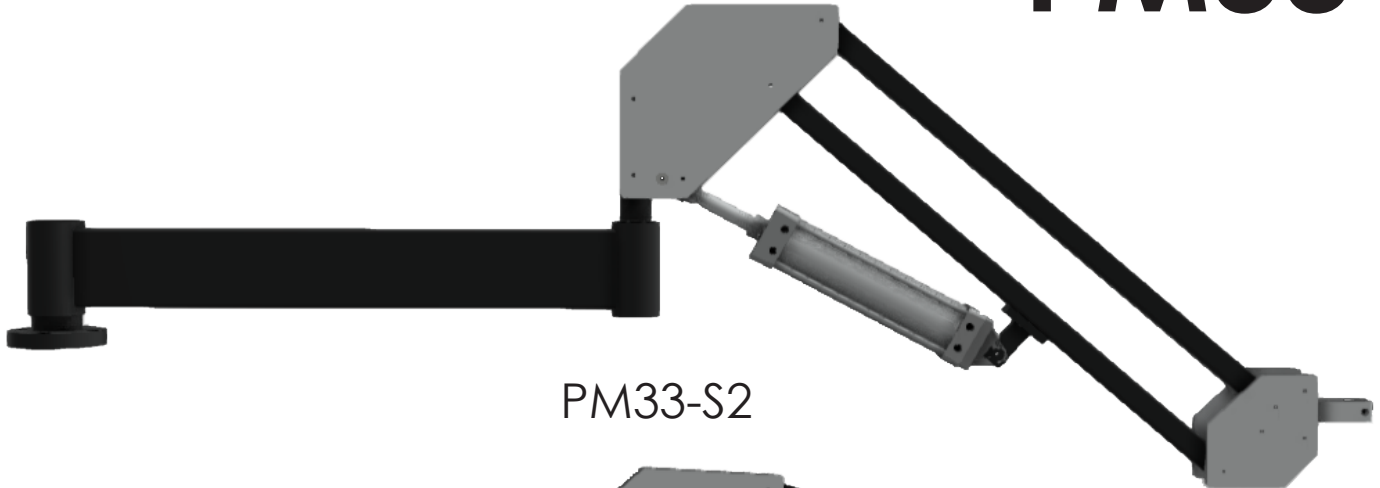
LIFTING MAGNET  
 P/N: 360600  
 ADJUSTABLE PEDESTAL  
 P/N: FX900032

\*Custom end effector available upon request

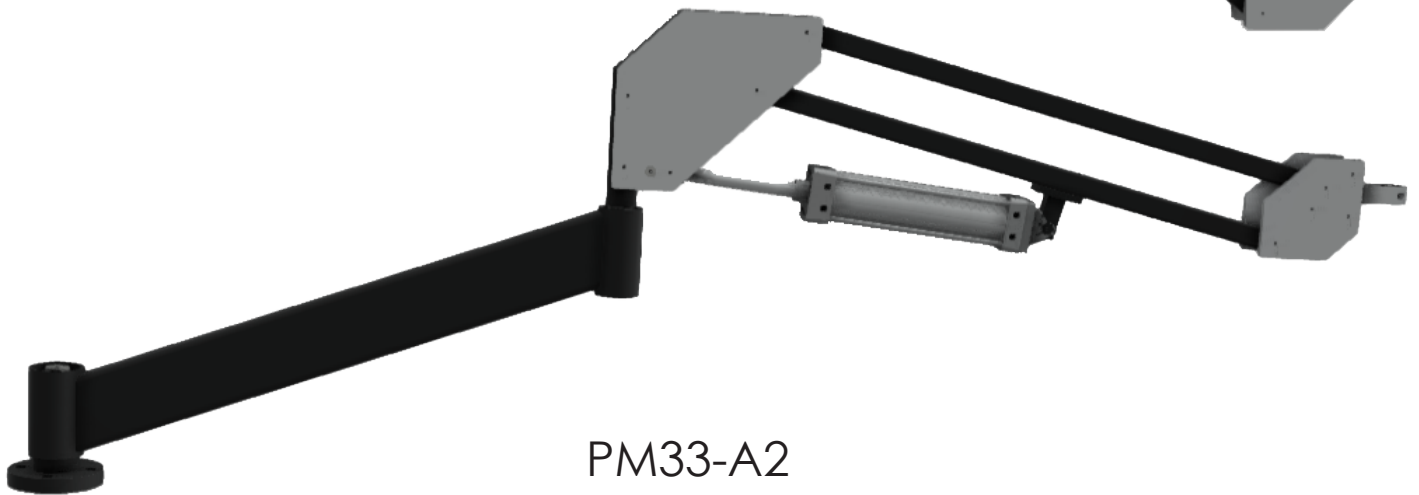
# Part Manipulator



## PM33



PM33-S2



PM33-A2

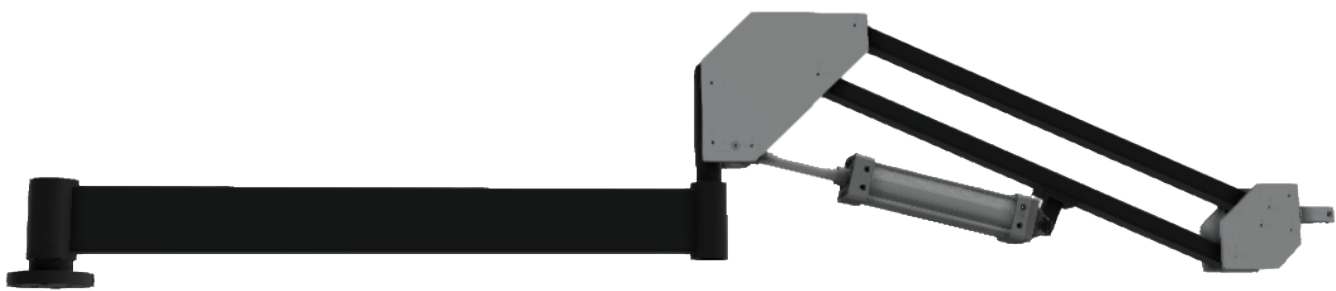
Model	PM33-S	PM33-A
Arm Length	3 ft.	3 ft.
Weight Range (includes EOAT)	0-150 lbs.	0-150 lbs.
Linear Range	16"-89"	16"-89"
Vertical Stroke	38"	38"
Angle Mount	3' Straight	3' Angled

LIFTING MAGNET  
P/N: 360600  
ADJUSTABLE PEDESTAL  
P/N: FX900032

\*Custom end effector available upon request



# PM34-S2

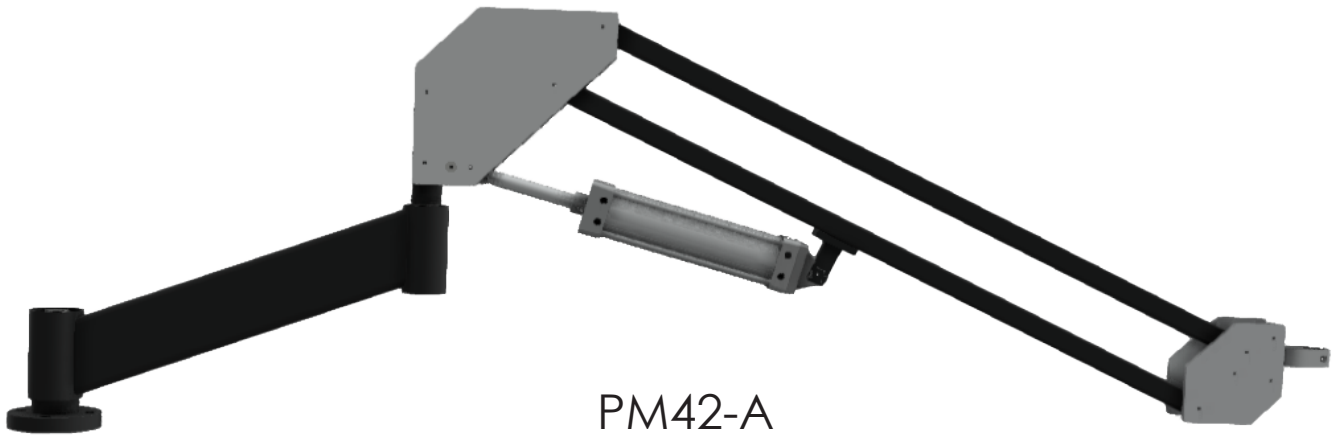
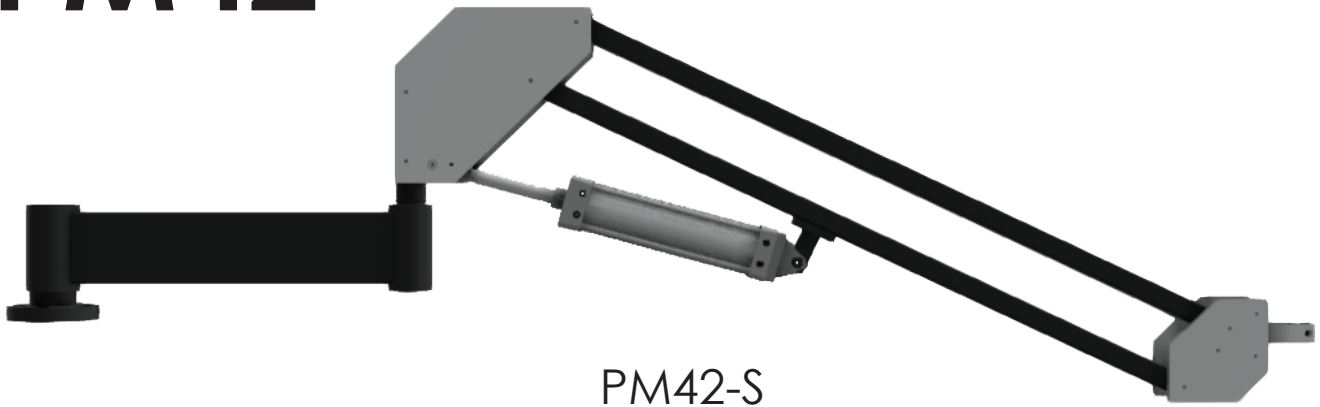


Model	PM34-S2
Arm Length	3 ft.
Weight Range (includes EOAT)	0-150 lbs.
Linear Range	4"-101"
Vertical Stroke	38"
Angle Mount	4' Straight

LIFTING MAGNET  
 P/N: 360600  
 ADJUSTABLE PEDESTAL  
 P/N: FX900032

\*Custom end effector available upon request

## PM42

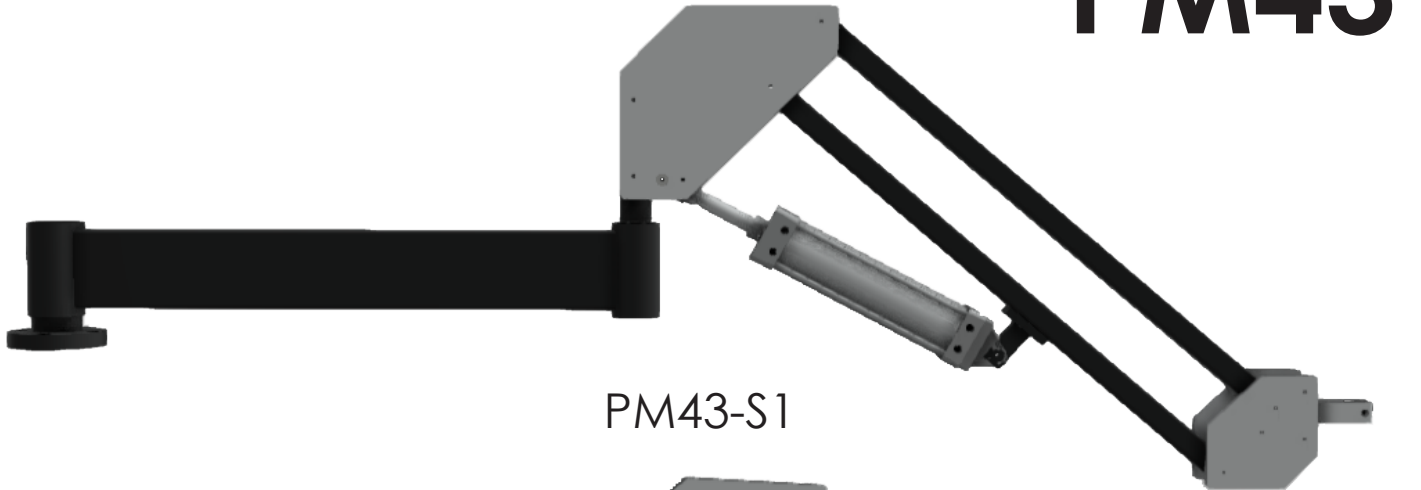


Model	PM42-S	PM42-A
Arm Length	4 ft.	4 ft.
Weight Range (includes EOAT)	0-90 lbs.	0-90 lbs.
Linear Reach	40"-88"	40"-88"
Vertical Stroke	52"	52"
Angle Mount	2' Straight	2' Angled

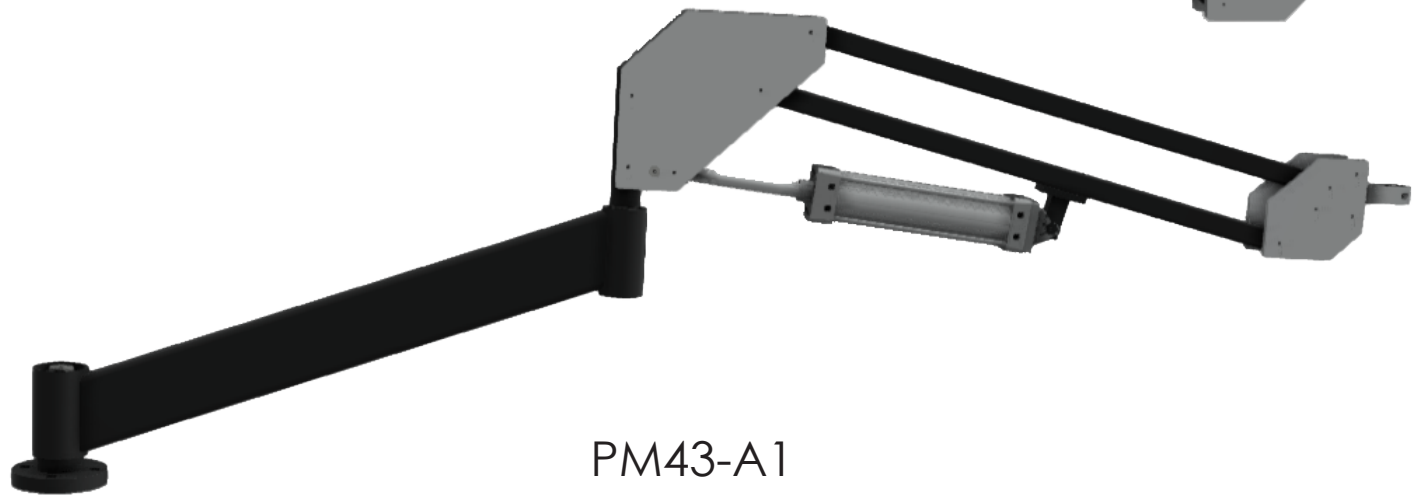
LIFTING MAGNET  
 P/N: 360600  
 ADJUSTABLE PEDESTAL  
 P/N: FX900032

\*Custom end effector available upon request

## PM43



PM43-S1



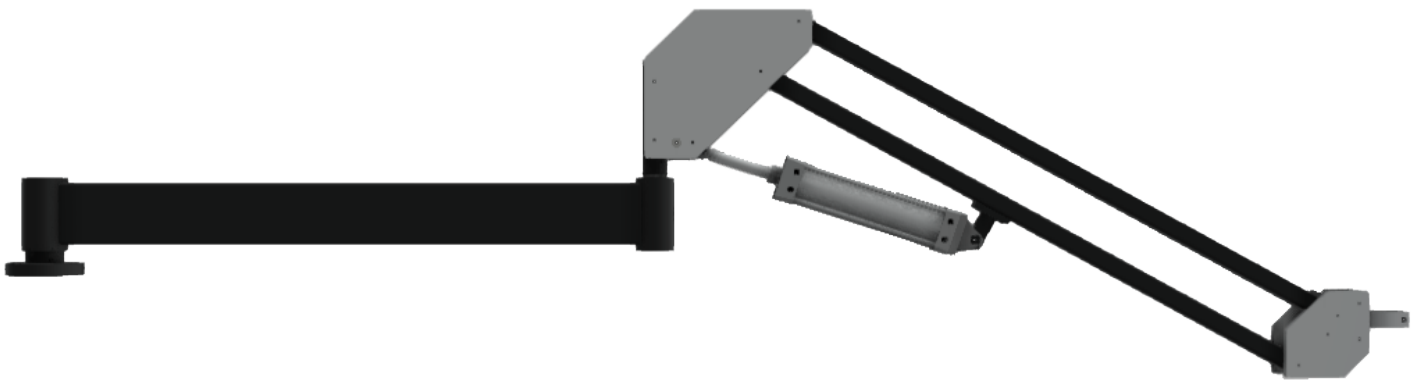
PM43-A1

Model	PM43-S1	PM43-A1
Arm Length	4 ft.	4 ft.
Weight Range (includes EOAT)	0-90 lbs.	0-90 lbs.
Linear Reach	28"-101"	28"-101"
Vertical Stroke	52"	52"
Angle Mount	3' Straight	3' Angled

LIFTING MAGNET  
 P/N: 360600  
 ADJUSTABLE PEDESTAL  
 P/N: FX900032

\*Custom end effector available upon request

# PM44-S1



Model	PM44-S1
Arm Length	4 ft.
Weight Range (includes EOAT)	0-90 lbs.
Linear Range	16"-113"
Vertical Stroke	52"
Angle Mount	4' Straight

LIFTING MAGNET  
P/N: 360600  
ADJUSTABLE PEDESTAL  
P/N: FX900032

\*Custom end effector available upon request