

CompacLift™

X SERIES SCISSOR LIFT TABLES

Bishamon®



Bishamon X-Series Scissor Lift Tables are rugged, compact hydraulic lifts with capacities of 440 to 1,650 lbs., travel distance up to 45 in. and platform sizes from 18 x 25.5 to 20 x 40 inches.

X Series CompacLift™ tables are most widely used in machine tool or other production line manufacturing activities requiring heavy-duty lifting and positioning within a confined area. With additional emphasis placed on ergonomics and the reduction of repetitive lifting activities by the manufacturer, The X-Series meets an ever-growing need for lifting assistance.

Basic design features a manual foot pump operation to afford the opportunity of economical solutions to lifting problems. Electric/Hydraulic and Air/Hydraulic units are also available in most capacities.

CompacLifts™ are designed and manufactured to extend the work area of machine tool activities and production lines. They also increase productivity and reduce worker strain by positioning materials at optimum operating heights for worker efficiency.

X Series Lift Tables are available in five capacities, four table sizes and single or double scissors.

All Bishamon Lift Tables are designed and constructed for lifting applications under the toughest working conditions, offering years of trouble-free operation.

Bishamon

Bishamon Industries Corporation

5651 East Francis Street

Ontario, California 91761-3601

(909) 390-0055 • (800) 358-8833

Fax (909) 390-0060

www.bishamon.com

Warranty - Bishamon Industries Corp. ("Bishamon") warrants its products to be free from defects in material and workmanship for a period of one (1) year from the date of initial shipment. This warranty shall not apply to any misuse, mishandling, accident, shipping, alteration, or unauthorized repair of any Bishamon product or part. For complete details of warranty, please contact Bishamon at 800-358-8833.

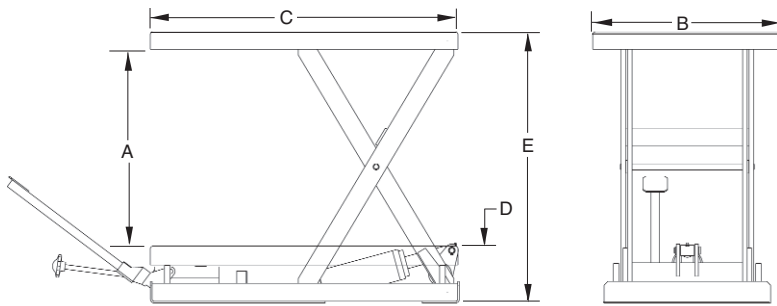


CompacLift™

X SERIES SCISSOR LIFT TABLES

Working Harder To
Make Your Life Easier

X Series Scissor Lift Table Dimensions



Selector Table for X Series Lift Tables

Model	Travel (inches) (A)	Capacity (pounds)	Table Size (Inches) (B) X (C)	Height (Inches)		Strokes To Max. Height C Models	Raise Time (seconds)		Ship Weight (pounds)
				Lowered (D)	Raised (E)		Loaded	Unloaded	
X-20C	16.0	440	19.5 x 25.5	5.00	21.00	28	-	-	121
X-25C	22.0	550	19.5 x 32.0	5.00	28.00	42	-	-	157
X-25E	22.0	550	19.5 x 32.0	6.00	28.00	-	9	9	190
X-25P	22.0	550	19.5 x 32.0	6.00	28.00	-	36	-	190
X-50C	25.5	1,100	20.0 x 40.0	6.00	31.50	46	-	-	253
X-50E	25.5	1,100	20.0 x 40.0	6.00	31.50	-	12	10	285
X-50P	25.5	1,100	20.0 x 40.0	6.00	31.50	-	40	-	285
X-75C	25.5	1,650	20.0 x 40.0	6.00	31.50	67	-	-	256
X-75E	25.5	1,650	20.0 x 40.0	6.00	31.50	-	17	14	288
X-75P	25.5	1,650	20.0 x 40.0	6.00	31.50	-	58	-	288
X-30SC	45.0	660	20.0 x 40.0	9.25	54.25	54	-	-	315
X-30SE	45.0	660	20.0 x 40.0	9.25	54.25	-	14	11	345
X-30SP	45.0	660	20.0 x 40.0	9.25	54.25	-	47	-	345
X-50SE	25.5	1,100	18.0 x 25.5	8.25	33.75	-	14	11	235
X-50SP	25.5	1,100	18.0 x 25.5	8.25	33.75	-	47	-	235

C - Manual Foot Pedal Pump

E - Electric / Hydraulic 115V, 1/2HP external power unit assembly with 24VAC control voltage

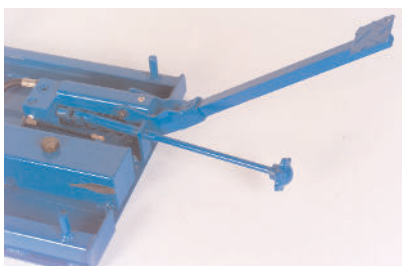
P - Air / Hydraulic

S - Double Scissors

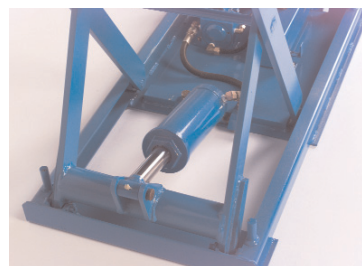
Optional foot pedal switch available on electric models.

Standard Features

- Compact design
- Manual, electric and air operated models available
- Constructed with heavy-gauge steel and sturdy welds throughout
- Steel work platforms
- Entrapped rollers for increased stability
- Superior hydraulic systems proven on a range of Bishamon lift products
- Hand control on electric models
- Removable & storable operator's foot pedal and lowering control on manual models
- Wide range of table sizes
- Quality baked enamel finish



Removable & storable operator's foot pedal and lowering control on basic models.



Superior hydraulic systems proven on a range of Bishamon lift products

DISTRIBUTED BY:

Bishamon®

5651 East Francis Street
Ontario, California 91761-3601

(909) 390-0055 • (800) 358-8833
Fax (909) 390-0060

www.bishamon.com